

CB-S24

2-Way Active Chilled Beams with Condensate Drip Tray

Keep comfortable knowing your space is healthy! The Carson Solutions Active Chilled Beam, 24" wide CB-S24 utilizes an induction process to draw room air through the chilled beam heat exchanger. This provides superior thermal comfort in heating and cooling while allowing for the introduction of fresh outside air for improved indoor air quality.

With no moving parts within the CB-S24, minimize sound and maintenance requirements. This unique design allows for a condensate drip tray to be mounted under the slanted dual hydronic heat exchanger for added protection against space humidity levels may be difficult to maintain. Optional factory mounted condensate float switch can be installed for additional protection. The fully sealed plenum design from Carson Solutions ensures no air leakage. Multiple CB-S24's can be installed to provide the primary supply air and utilize hot or chilled water to control space conditions precisely for maximum comfort. Induced room air mixes with primary conditioned fresh air to deliver a combined air stream to the occupied space through linear discharge slots along the length of the beam. The Carson Solutions CB-S24 Active Chilled Beams improve efficiency to maximize cooling and heating while delivering superior performance and thermal comfort!



Laboratories



Offices



Education



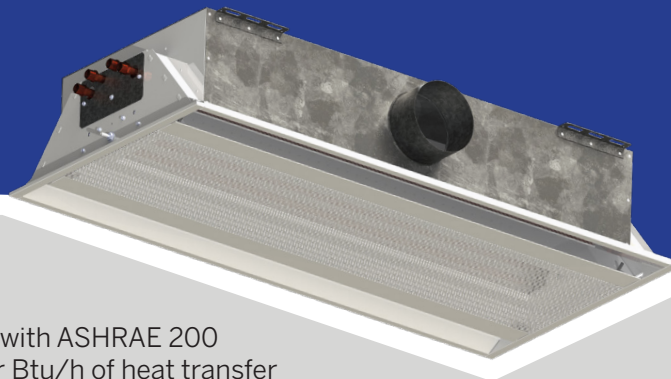
Government



Healthcare



And more!



EXCLUSIVE

FULLY SEALED PLENUM DESIGN

Our fully sealed plenum design prevents air leakage with the Carson Solutions chilled beams! Using the same acclaimed quality and design as the QLCI, the CB-S24 is ideal for new or retrofit applications.

FEATURES

- Rated in accordance with ASHRAE 200
- Lower energy use per Btu/h of heat transfer
- Condensate drip tray with Drain Connection
- Small footprint allows more usable ceiling space
- Low maintenance
- Design & manufactured in the USA!

ABOUT US

CARSON SOLUTIONS

Carson Solutions designs and manufacturers HVAC equipment to improve our community that creates a healthier environment both indoor and out.

Manufactured with American ingenuity, Carson Solutions products are designed with quality materials. With innovation, sustainability, and quality at our core, we offer the flexibility of a small company with agile manufacturing capabilities to customize all products. Partner with Carson Solutions to create your next solution!